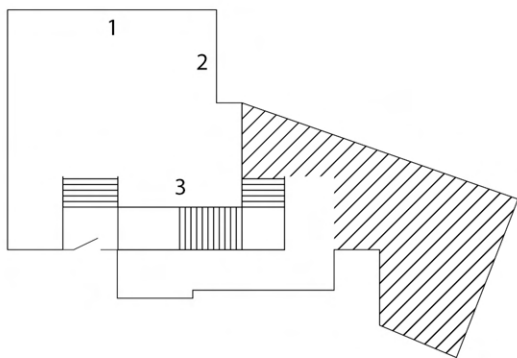


Upper gallery



Upper Gallery

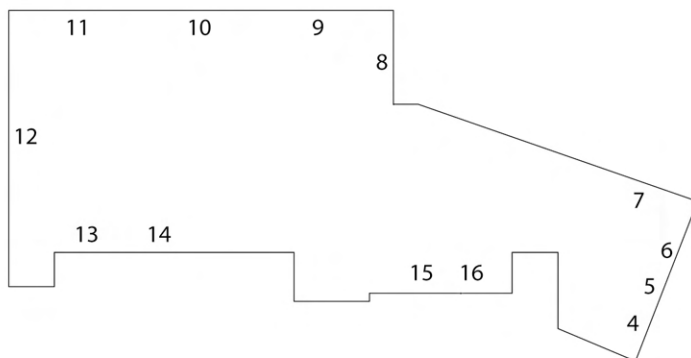
1. John Hoyland
Wine Moon 18.9.95 (1995)
Acrylic on canvas
2. Katie Tomlinson
I Want Money, Power and Glory (2024)
Oil, oil bar and lipstick on canvas
3. Gary Wragg
Clothes Horse no Bather 4 (2023)
Acrylic on cotton duck

**For sales enquiries please contact
Castlefield Gallery Curator and Deputy Director
Matthew Pendergast
T: 0161 832 8034
matthew@castlefieldgallery.co.uk**

Plan

40 Years of the Future: Painting
24 March — 23 June 2024
Easter closing: 29 March — 2 April 2024

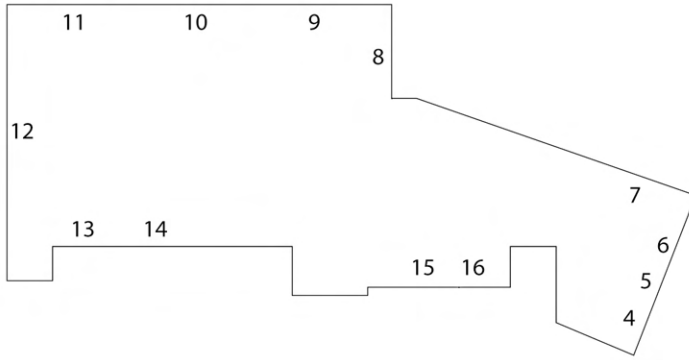
Lower gallery



Lower Gallery

4. Azraa Motala
May (2022)
Oil on linen
5. Sarah Feinmann
Outshifts (2023)
Acrylic painted collage
6. Jamie Kirk
Strata (2022)
Resin and acrylic on canvas
7. Gary Wragg
Skid (1984)
Acrylic and oil pastel on canvas
8. Jamie Kirk
Living Room (2024)
Oil and acrylic on canvas
9. Sarah Feinmann
Umbra Field (1989)
Oil on canvas
10. Tricia Gillman
Carambola (1982)
Oil on canvas
11. Katie Tomlinson
Cavity Sam (2024)
Oil & oil bar on canvas

Lower gallery



12. John Hoyland
Harvest 6.3.81 (1981)
Acrylic on cotton duck

13. Azraa Motala
Untitled (2024)
Oil on linen

14. Robin Megannity
the cold read (2024)
Oil on linen

15. Tricia Gillman
Moments 3 Beneath the Skin (2019)
Pencil charcoal pastel on unprimed cotton duck

16. Robin Megannity
switch the loop (2024)
Oil on linen

40 Years of the Future: Painting is supported by:

THE HAWORTH TRUST



With special thanks to Castlefield Gallery Commissioning Patrons Prof. Chris Klingenberg and Bridget and Richard Schilizzi.

A special thank you to Sam Cornish, Beverley Heath-Hoyland and Lee Taylor.

Castlefield Gallery Funders and supporters



ARTS COUNCIL
ENGLAND



MANCHESTER
CITY COUNCIL